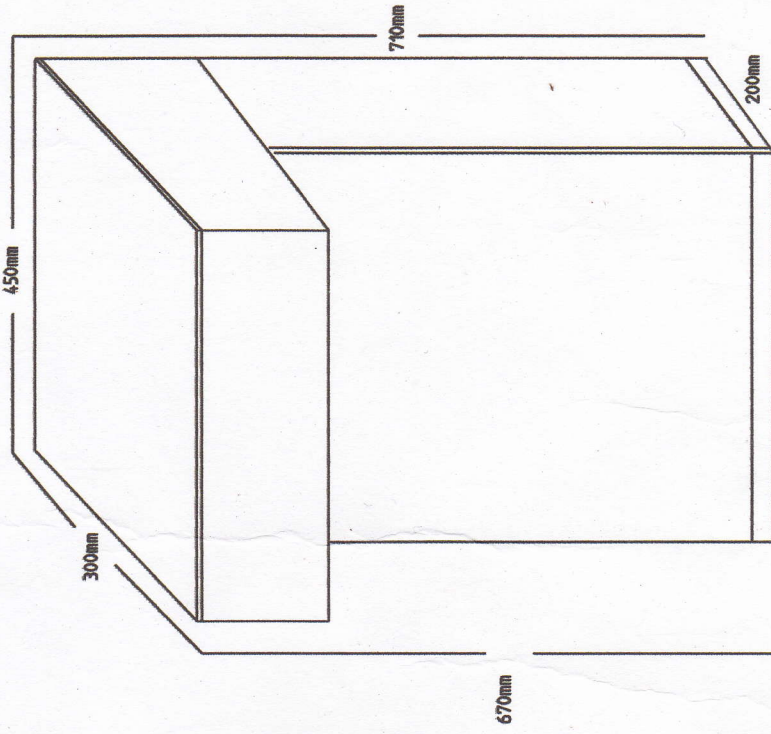
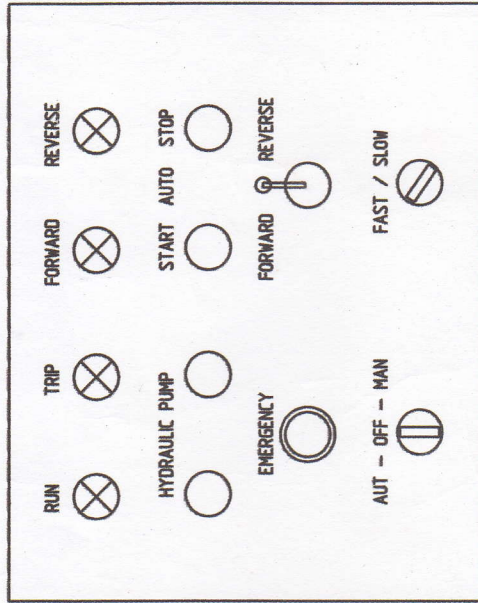
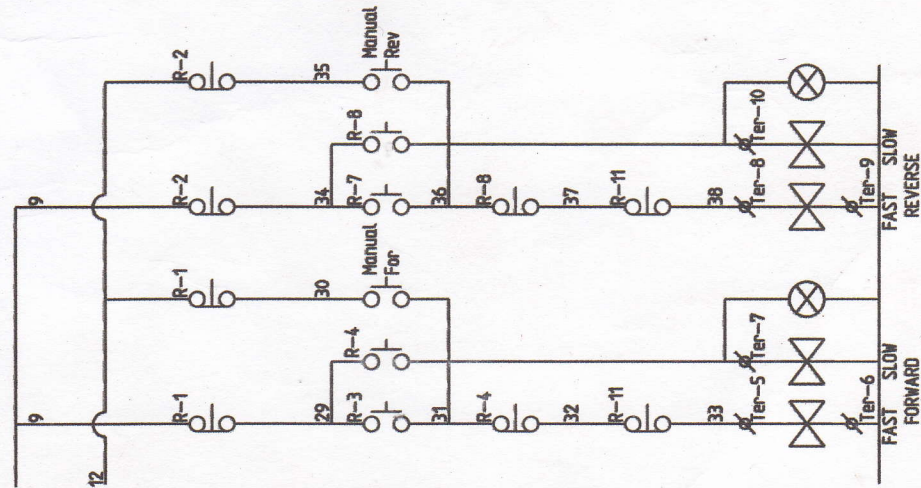


Job no. flipper fast slow speed	Draw.no.	Rev.:	By:
Date: 1/3/2005	Device:	Location:	Sheet 1

0 1 2 3 4 5 6 7 8 9



10 9 11 36 N 3A 40 N 38
Ø Ø Ø Ø Ø Ø Ø Ø Ø Ø

Job no. tipper	Draw.no.	Rev.:	By:
fast slow speed	Device:	Location:	Sheet
Date: 1/3/2005			2