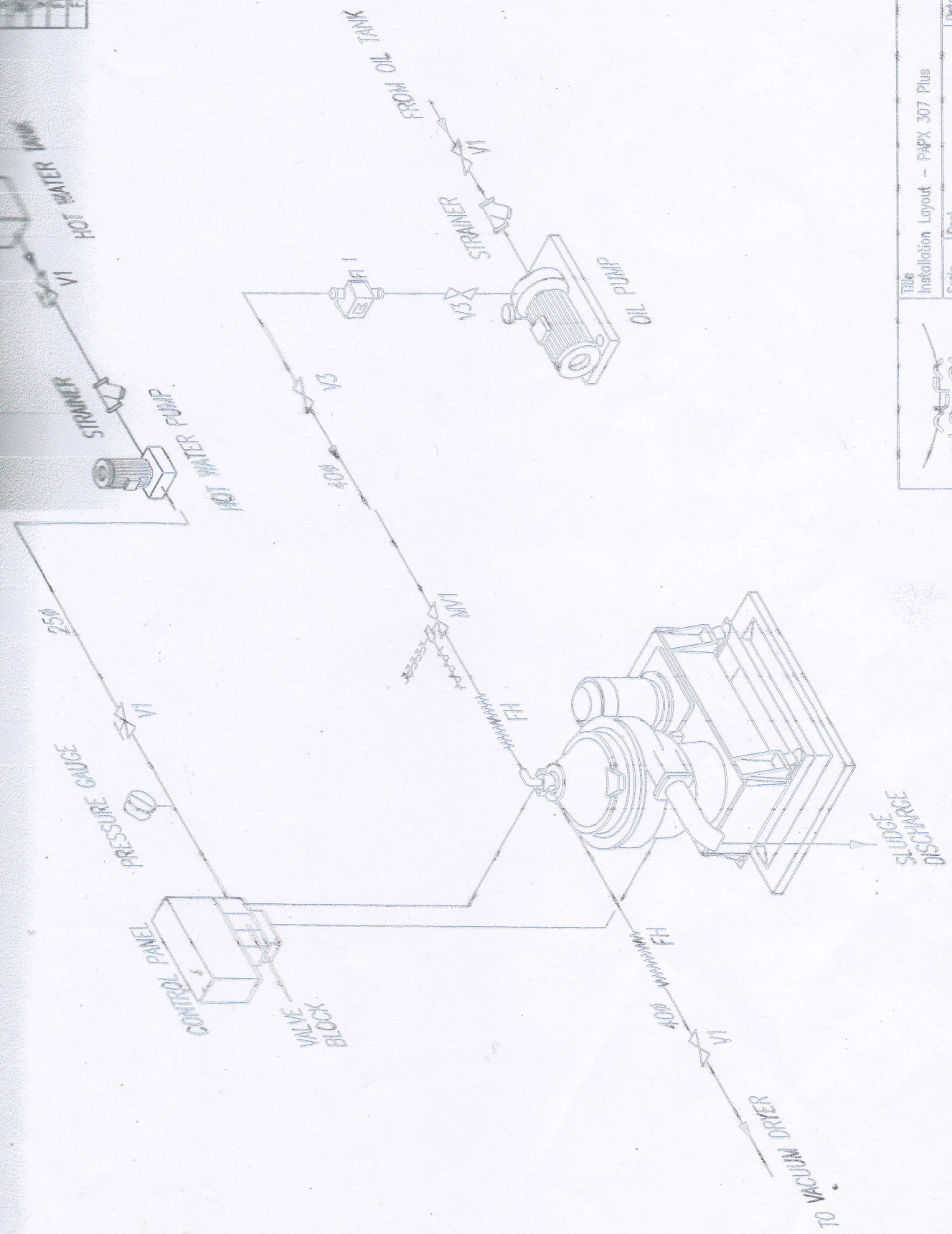


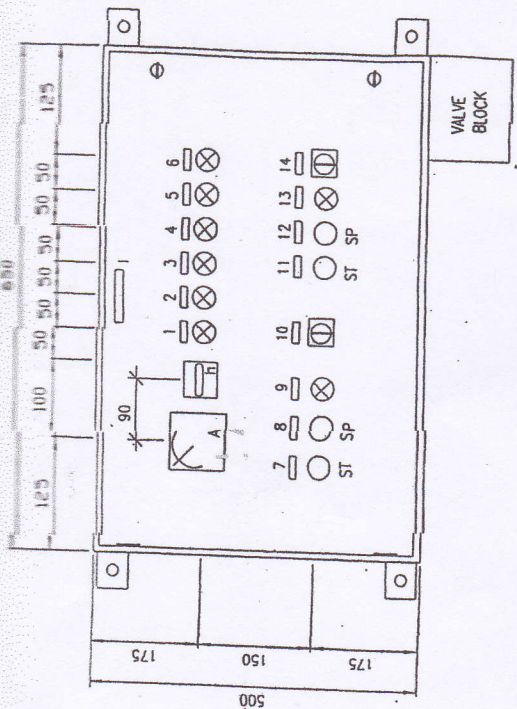
Pressure	Actual	Valve
Regulator	Valve	
Flow Meter		
FH		
FH		



ALL DIMENSIONS IN MM

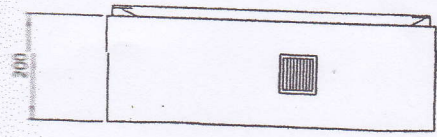
Title		Installation Layout - PAPX 307 Plus		Page: 1	
Scale	NTS	Dept	Palm Oil & Latex Technology	Drawing No	CPO/DIPX-001
Rev	2	Date	OCT. 2004	Of: 1	Rev



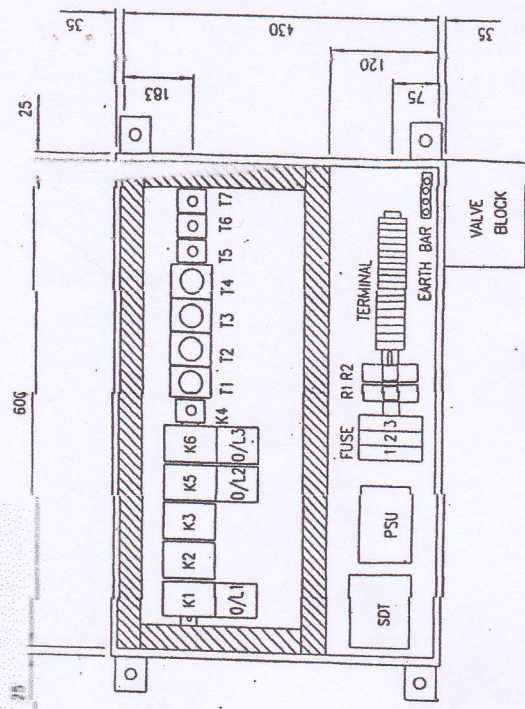


FRONT VIEW

QTY: 6 UNIT



SIDE VIEW

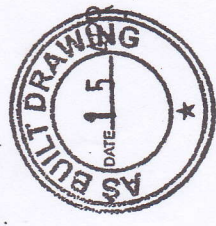


SECTION VIEW

LEGEND

NP	PAPX 307 CONTROL PANEL		
1	AUTO	GREEN	
2	MANUAL	GREEN	
3	MV1/SV206	GREEN	
4	SV372	GREEN	
5	SV376	GREEN	
6	WATER PUMP RUN	GREEN	
7	START	GREEN	
8	STOP	RED	
9	RUN	GREEN	
10	AUTO/OFF/MAN FLUSHING SEL. SW.	GREEN	
11	OIL FEED PUMP START	GREEN	
12	OIL FEED PUMP STOP	RED	
13	OIL FEED PUMP RUN	GREEN	
14	WATER PUMP AUTO/OFF/MANUAL SEL. SW	GREEN	

[Symbol] INDICATING LIGHT  
 [Symbol] PUSH BUTTON  
 [Symbol] INDICATING LIGHT



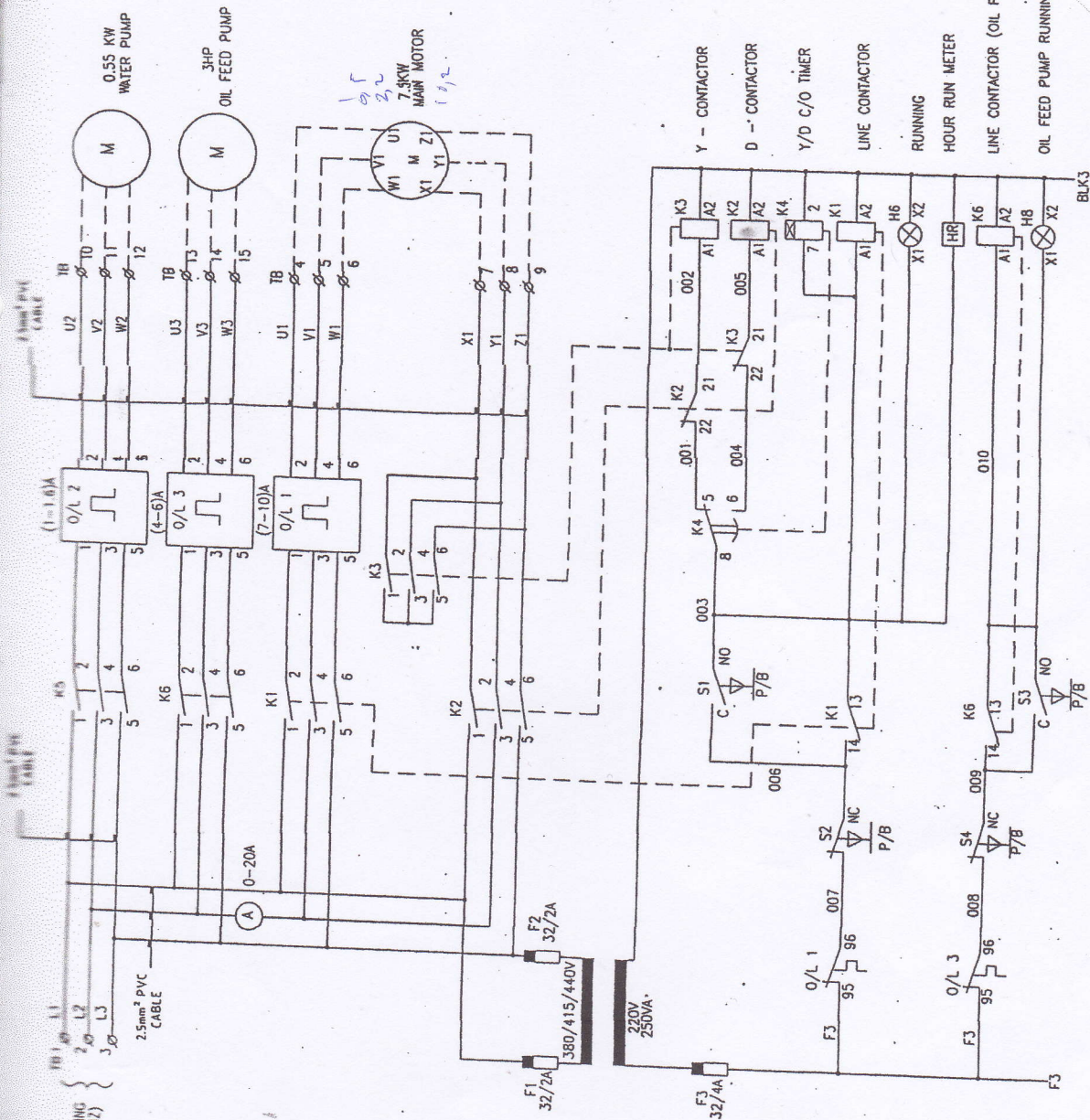
SHEET METAL	: 1.5mm MILD STEEL SHEET METAL
INTERNAL & EXTERNAL FINISH	: EPOXY POWDER PAINT IN OVEN BAKED (FF160/9430/CW5)
CUBICLE ENCLOSURE	: IP 42

Note: All units are in millimeters unless otherwise indicated

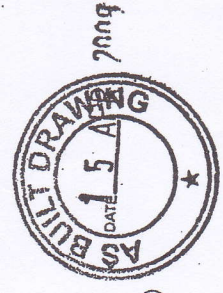
Designed By:	C.S.H	Drawn By:	ZN	Checked By:	C.S.H
Date:	06-12-2007	Date:	18-3-2008	Date:	18-3-2008
JOB NO:	J0635/08	Page:	1	Next Page:	2

Client:	
Project:	CONTROL PANEL PAPX 307 PLUS (P/N 788-0008)
Title:	GENERAL ARRANGEMENT
Manufacturer:	TS ELECTRICAL MARKETING SDN. BHD.





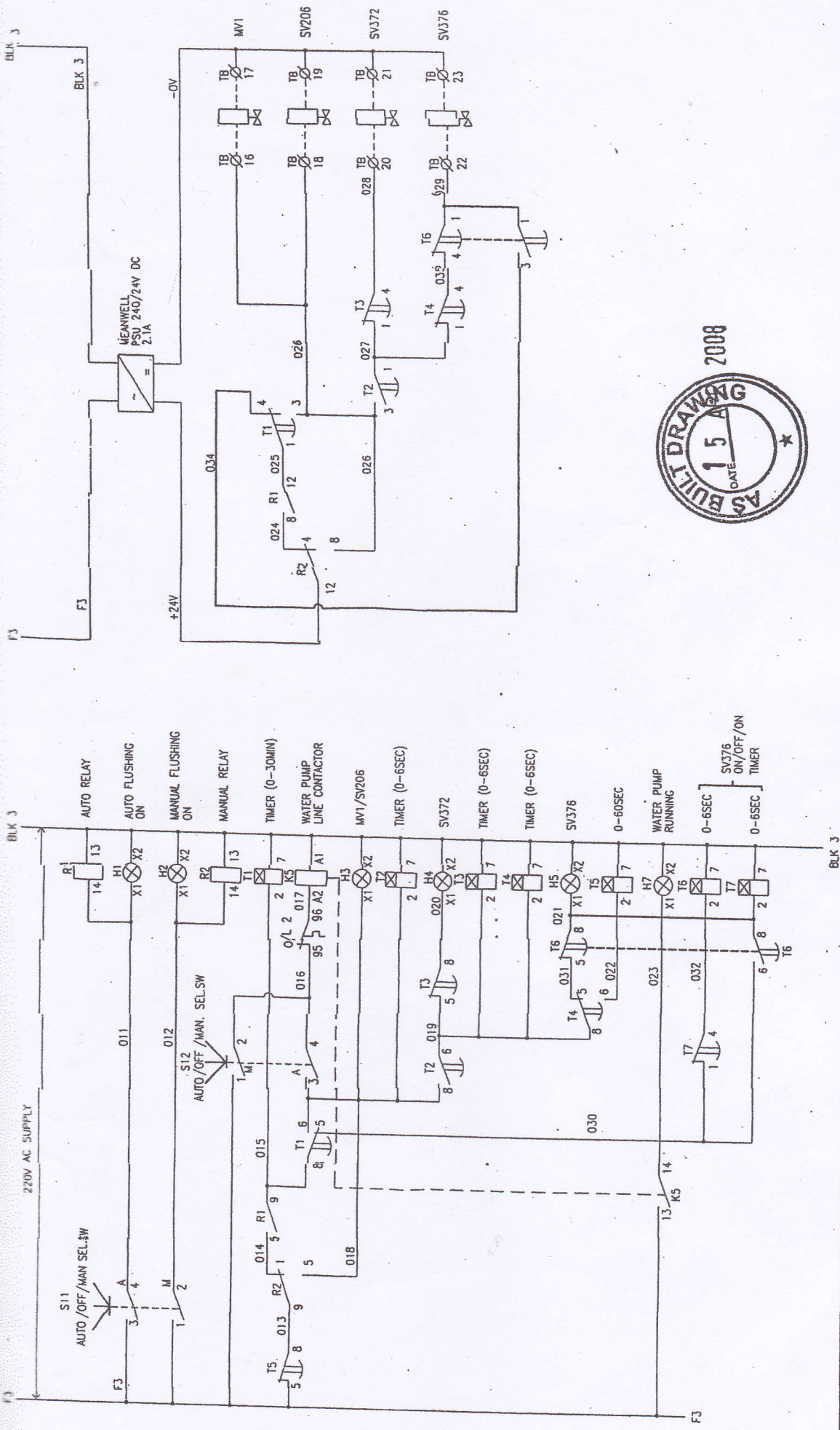
- Y - CONTACTOR
- D - CONTACTOR
- Y/D C/O TIMER
- LINE CONTACTOR
- RUNNING
- HOUR RUN METER
- LINE CONTACTOR (OIL FEED PUMP)
- OIL FEED PUMP RUNNING

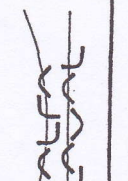



NOTE:  
 220V AC - RED/BLACK  
 24V DC - PURPLE/CHOC.

Client:		Project:		Title:	
		CONTROL PANEL PAPX 307 PLUS (P/N 788-0008)		POWER & CONTROL CIRCUIT	
Rev No	Date	Designed By:	Drawn By:	Checked By:	JOB NO:
		Date:	Date:	Date:	Page:
		18-3-2008	18-3-2008	18-3-2008	2
		Next Page:		3	



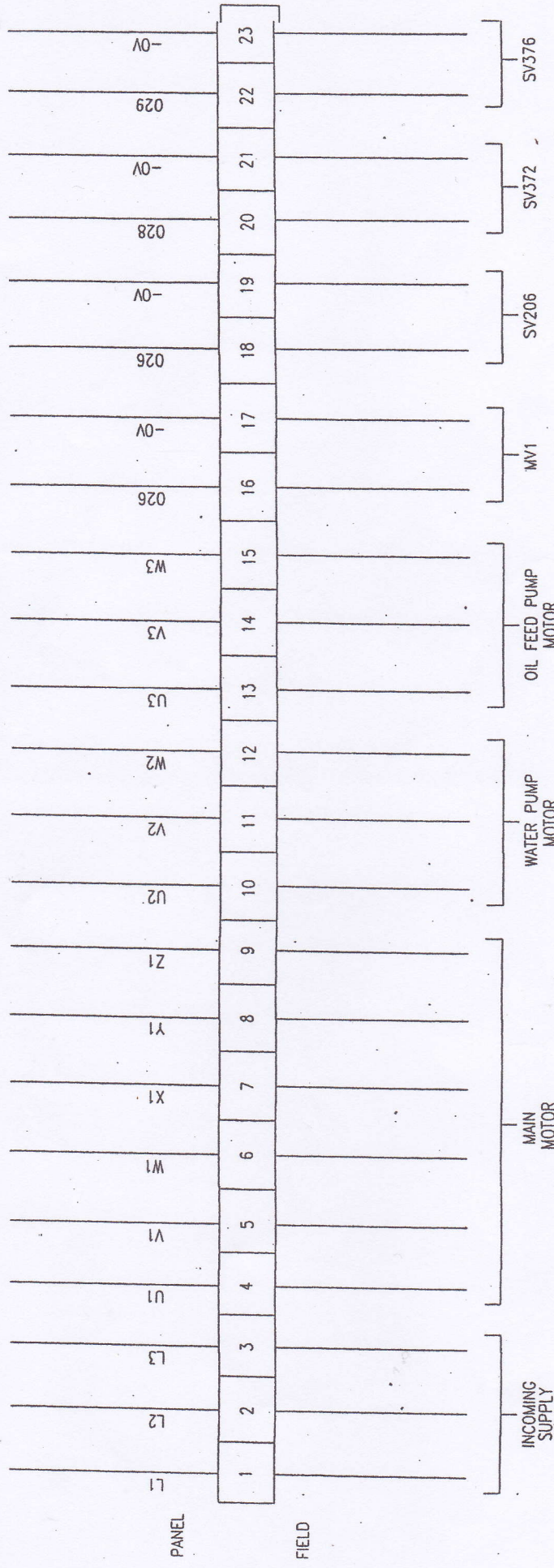




Client:		Project:	CONTROL PANEL PAPX_307 PLUS (P/N 788-0008)		Title:	CONTROL CIRCUIT		Manufacturer:	 TS ELECTRICAL MARKETING SDN. BHD.	
			Rev No	Date		Designed By:	Drawn By:		Checked By:	
			0	18-3-2008	C.S.H	ZAI	C.S.H			
					Date:	18-3-2008	18-3-2008			
					JOB NO:	J0635/08				
					Page:	3				
					Next Page:	4				





A B C D E F G H I J K L



Client:	Project:	Title:		Checked By:	
		CONTROL PANEL PAPX_307 PLUS (P/N 788-0008)		C.S.H.	
		Manufacturer:		Drawn By:	
		TS ELECTRICAL MARKETING SDN. BHD.		ZAI	
TERMINAL CONNECTION		Date: 18-3-2008		Date: 18-3-2008	
J0635/08		Job No:		Page: 4	
J0635/08		Job No:		Next Page: 5	

A B C D E F G H I J K L